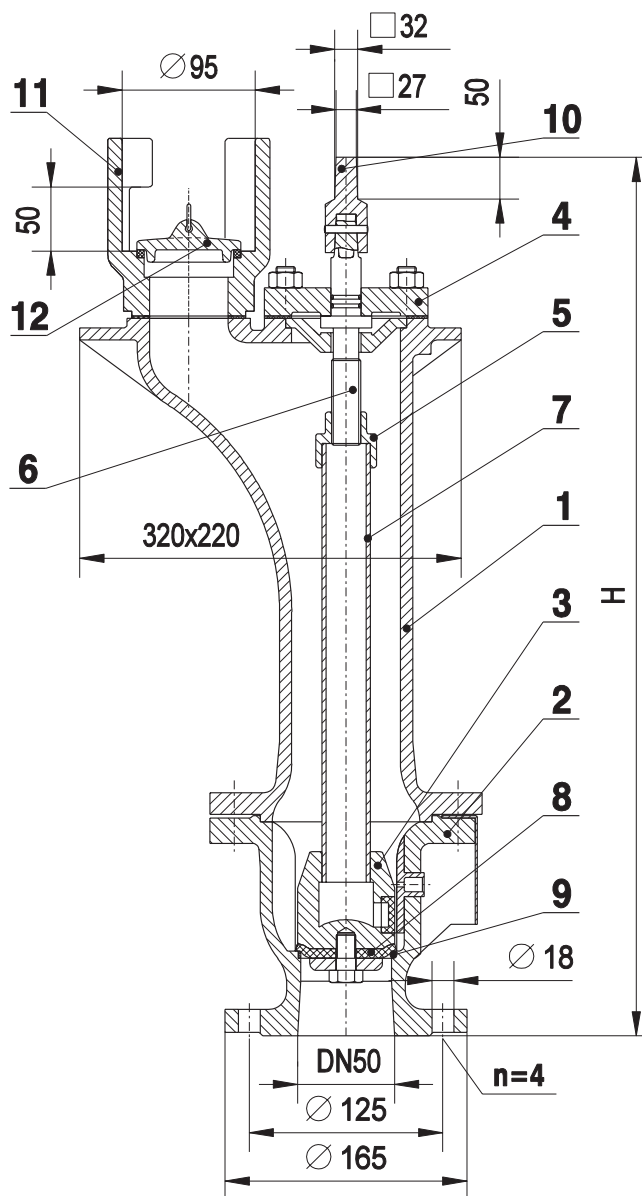
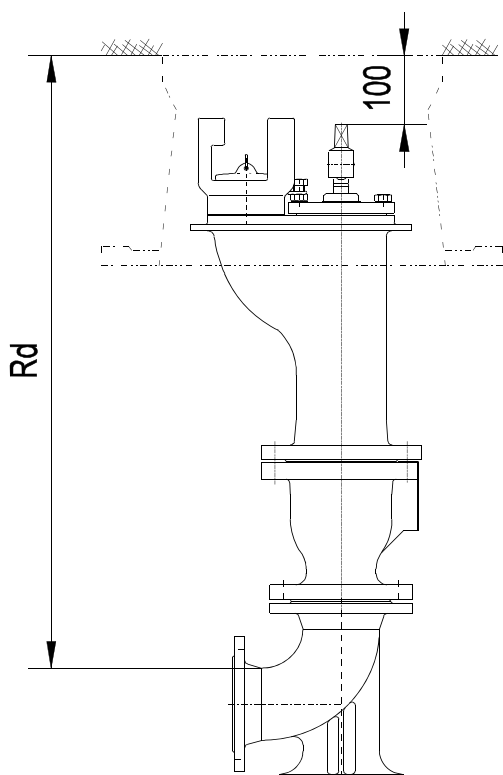


PODZEMNI HIDRANT DN50 PREMA EN 14339  
 UNTERFLURHYDRANT DN50 NACH EN 14339  
 UNDERGROUND HYDRANT DN50 ACCORDING TO EN 14339

Art N°  
 V4-01

NAZIVNI PROMJER NENNWEITE NOMINAL SIZE	NAZIVNI TLAK NENNDRUCK PRESSURE RATING	PRIRUBNICE FLANSCH FLANGES EN 1092-2	VODNI ISPITNI TLAK PREMA EN 12266 WASSERPRÜFDRUCK NACH EN 12266 TEST PRESSURE ACC. TO EN 12266 bar	
			KUČIŠTE GEHAUSE BODY	ZATVORENO GESCHLOSSEN CLOSED
DN 50	PN 10 bar	10 bar	15	11
50	16	16	24	17,6

POZ TEIL PART	MATERIJAL PO EN-u WERKSTOFF NACH EN MATERIAL ACC TO EN
1	EN-GJS-400-15
2	EN-GJS-400-15
3	EN-GJS-400-15
4	EN-GJS-400-15
5	EN-GJS-400-15
6	X20Cr13
7	X20Cr13
8	EPDM
9	CC480K
10	EN-GJS-400-15
11	EN-GJS-400-15
12	EN-GJS-400-15



**NAMJENA: VODA, PITKA VODA**  
**VERWENDUNG: WASSER, TRINKWASSER**  
**APPLICATION: WATER, POTABLE WATER**

Standardna površinska zaštita: Bitumen  
 Standard beschitug: Bitumen  
 Standard coating: Bitumen

VISINA CIJEVNOG POKROVA HÖHE ROHRABDECKUNG PIPE COVER HEIGHT Rd m	1,25	1,00	0,75
VISINA HIDRANTA HYDRANTENHOHE HYDRANT HEIGHT H	1030	780	550
m (kg)	42	37	32