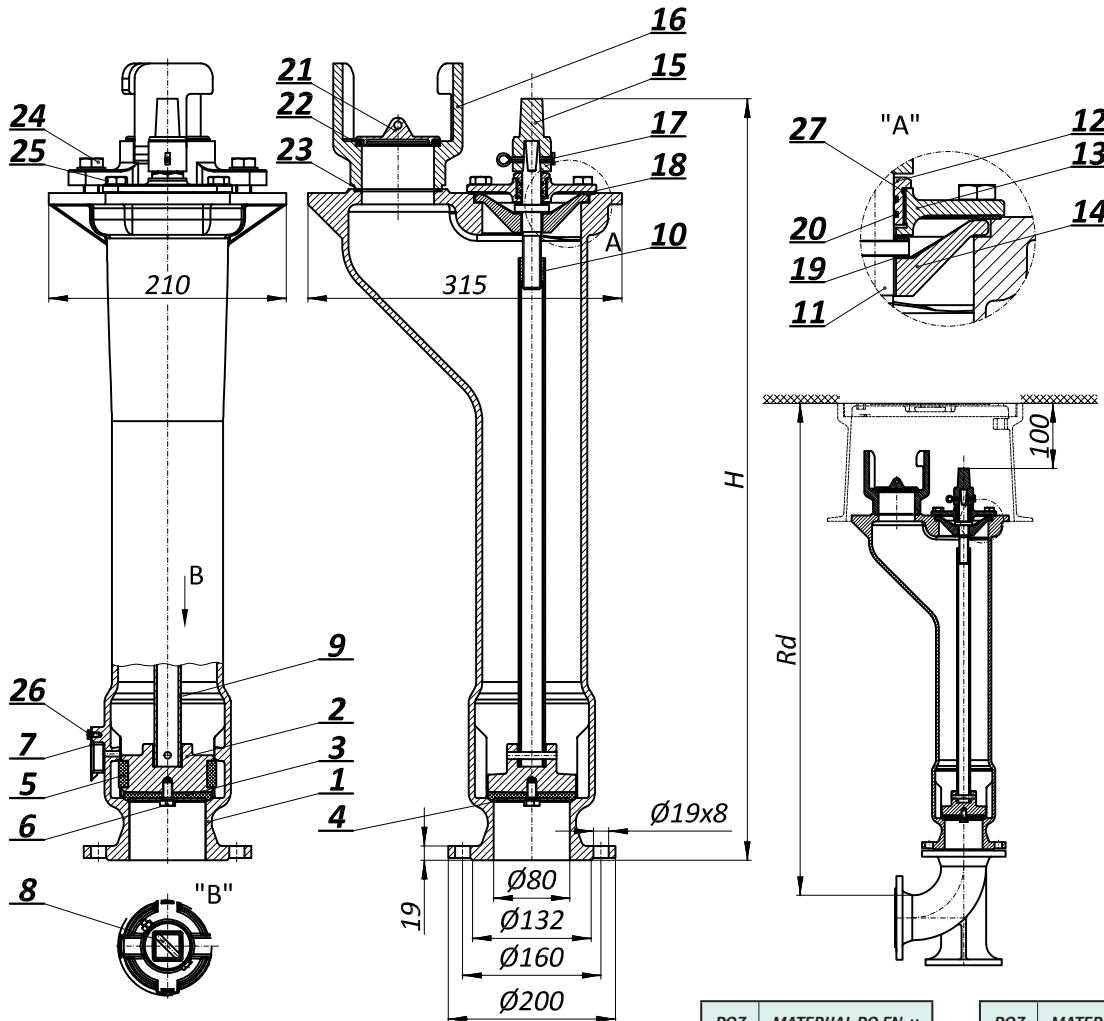


NAZIVNI PROMJER NENNWEITE NOMINAL SIZE	NAZIVNI TLAK NENNDRUCK PRESSURE RATING	PRIRUBNICE FLANSCH FLANGES EN 1092-2	VODNI ISPITNI TLAK PREMA EN 12266 WASSERPRÜFDRUCK NACH EN 12266 TEST PRESSURE ACC. TO EN 12266 bar	
			KUČIŠTE GEHAUSE BODY	ZATVORENO GESCHLOSSEN CLOSED
DN	PN bar	bar		
80	10	10	15	11
80	16	16	24	17,6



NAMJENA: VODA, PITKA VODA
VERWENDUNG: WASSER, TRINKWASSER
APPLICATION: WATER, POTABLE WATER

Standardna površinska zaštita: Bitumen
Standard beschichtung: Bitumen
Standard coating: Bitumen

VISINA CIJEVNOG POKROVA HÖHE ROHRABDECKUNG PIPE COVER HEIGHT Rd m	1,25	1,00	0,75
VISINA HIDRANTA HYDRANTENHOHE HYDRANT HEIGHT H	1030	780	550
m (kg)	40	36	32

POZ TEIL PART	MATERIJAL PO EN-u WERKSTOFF NACH EN MATERIAL ACC TO EN
1	EN-GJS-400-15
2	EN-GJS-400-15
3	EPDM
4	A4
5	EPDM
6	A4
7	A4
8	A4
9	W. Nr. 1.4401
10	CC484K
11	A4
13	EN-GJS-400-15

POZ TEIL PART	MATERIJAL PO EN-u WERKSTOFF NACH EN MATERIAL ACC TO EN
14	EN-GJS-400-15
15	EN-GJS-400-15
16	EN-GJS-400-15
17	A4
18	IT
19	Ms
20	EPDM
21	EN-GJS-400-15
22	CC480K
23	IT
24	A4
25	A4
26	A4
27	EPDM