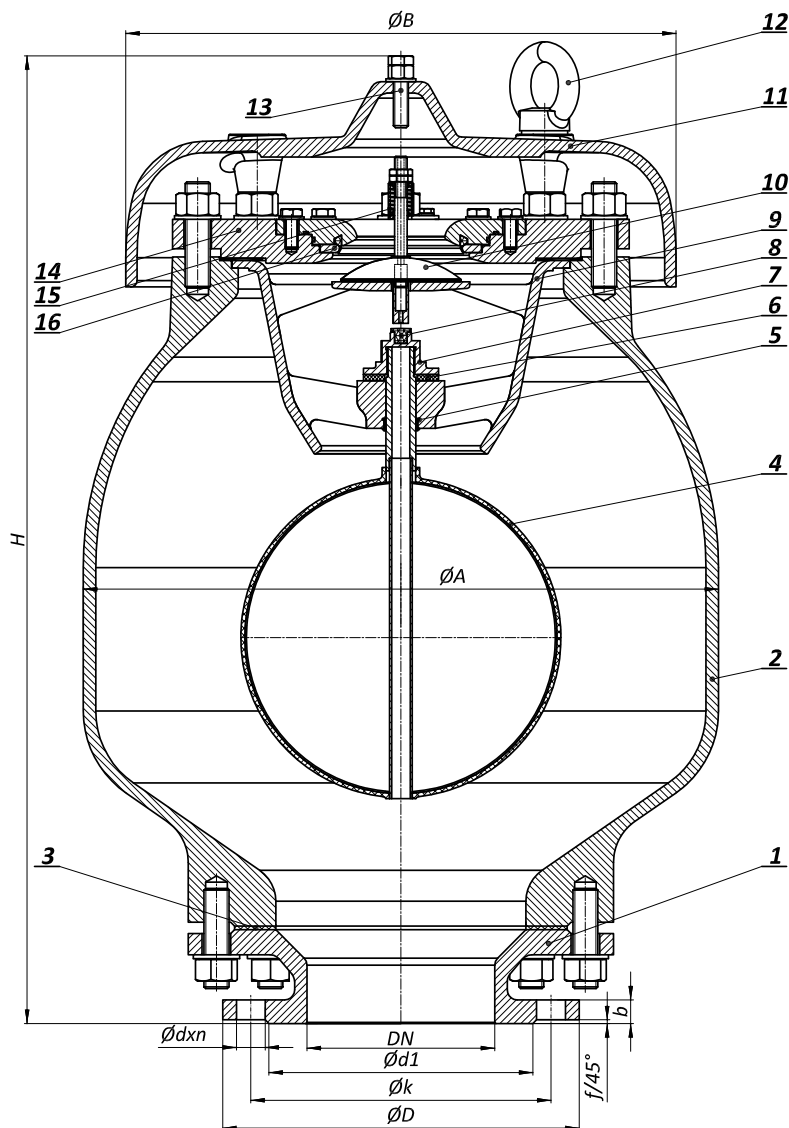


Art N°
V6-03B

ODZRAČNI VENTIL ZA OTPADNE VODE
ENTLÜFTUNGSVENTILE FÜR ABWÄSSER
AIR RELEASE VALVE FOR WASTE WATER

NAZIVNI PROMJER NENNWEITE NOMINAL SIZE	NAZIVNI TLAK NENNDRUCK PRESSURE RATING	PRIRUBNICE FLANSHE FLANGES EN 1092-2	VODNI ISPITNI TLAK PREMA EN 12266 WASSERPRÜFDRUCK NACH EN 12266 TEST PRESSURE ACC. TO EN 12266 bar	
			KUĆIŠTE GEHAUSE BODY	ZATVORENO GESCHLOSSEN CLOSED
DN	PN bar	bar	24	17,6
40-300	16	16	24	17,6



NAMJENA: OTPADNE VODE
VERWENDUNG: ABWÄSSER
APPLICATION: WASTE WATER

POZ TEIL PART	MATERIJAL PO EN-u WERKSTOFF NACH EN MATERIAL ACC TO EN
1	EN-GJS-400-15
2	EN-GJS-400-15
3	IT
4	X2CrNiMoN 22-5-3 + NBR
5	NBR
6	NBR
7	X2CrNiMoN 22-5-3
8	NBR
9	EN-GJS-400-15
10	X2CrNiMoN 22-5-3
11	EN-GJS-400-15
12	A4
13	A4
14	EN-GJS-400-15
15	X5CrNiMo 17-12-2
16	X2CrNiMoN 22-5-3

Ostali materijali na upit.
Andere Werkstoffe auf Anfrage.
Other materials on request.

DN	H	PN 16							A	B	m (kg)
		D	k	d1	n	d	b	f			
40	696	150	110	84	4	19	19	3	508	440	138
50	696	165	125	99	4	19	19	3	508	440	138
60	696	175	135	108	4	19	19	3	508	440	138
65	696	185	145	118	4/8	19	19	3	508	440	139
80	696	200	160	132	8	19	19	3	508	440	141
100	696	220	180	156	8	19	19	3	508	440	143
150	696	285	240	211	8	23	19	3	508	440	144
200	696	340	295	266	12	23	20	3	508	440	146
250	696	405	355	319	12	28	22	3	508	440	149
300	696	460	410	370	12	28	24,5	4	508	440	153

