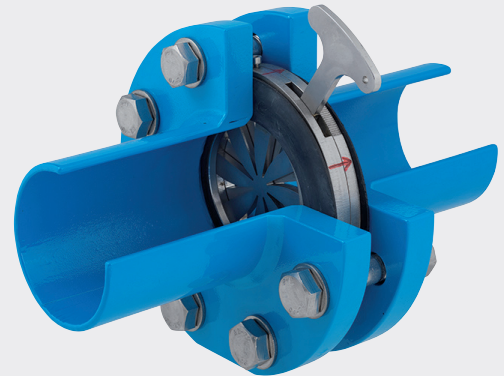
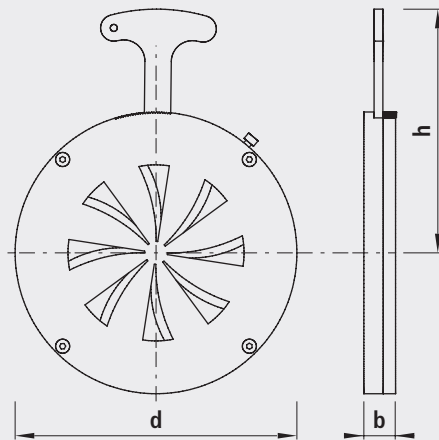


Orifice plate for installing in flanges, type B

1090

**Application**

- To use in drinking water systems (other media after consultation)
- Static choke element for setting up a constant flow rate.
- Used as a back pressure orifice as a cavitation protection after the valves.
- Not to be used as shut-off fittings

Installation and assembly

- Installation between the flanges and on both sides of the seal.

Mode of operation

- The orifice plate is installed between the flanges. The settings are adjusted according to the manufacturer's specifications. The advantage of this orifice plate is that it can be adjusted when it has already been installed.

Product information

- To calculate the dimensions of the orifice plate please refer to the following information: required flow rate, necessary pressure differential or both specifications.

Caution

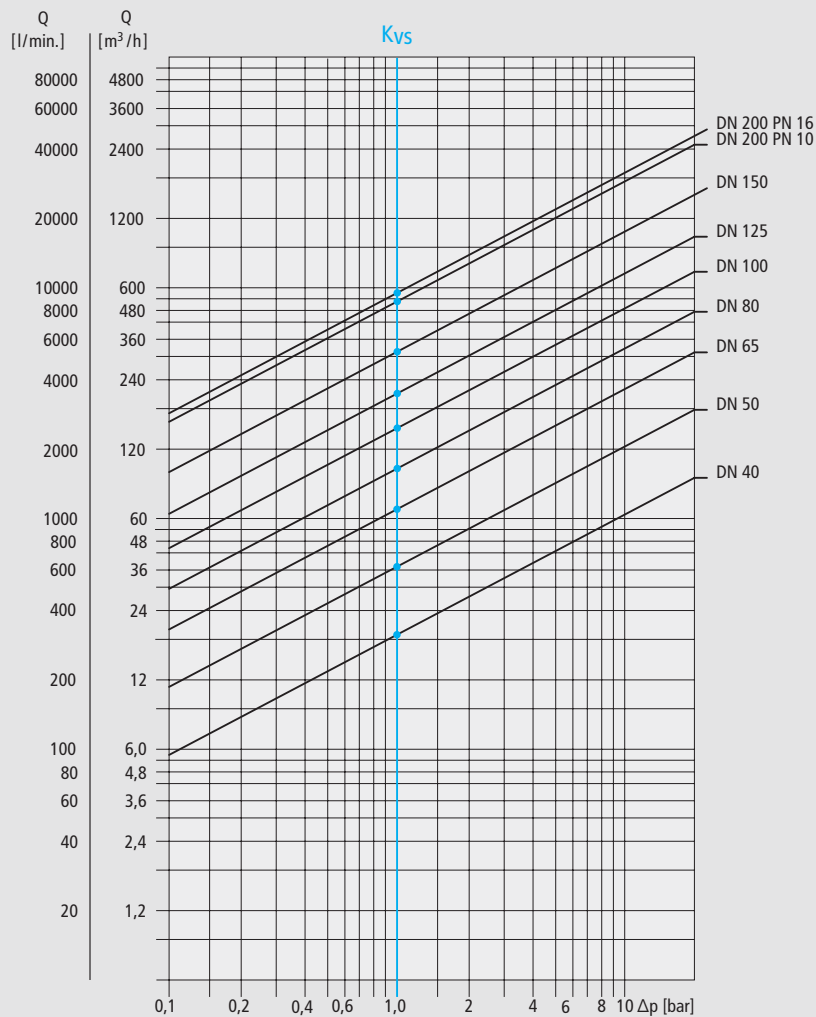
- For adjust the orifice only use the adjusting tool (No. 1199000101).

Artikel-Nr.	DN	PN	b	d	h	kg
1090040500	40	16	18	90	102.5	0.837
1090050500	50	16	18	105	110	1.114
1090065500	65	16	18	125	120	1.527
1090080500	80	16	18	140	128	1.713
1090100500	100	16	18	160	138.5	2.147
1090125500	125	16	23	190	154	3.400
1090150500	150	16	23	210	172.5	4.185
1090200500	200	10	23	265	204	6.145
1090200516	200	16	23	265	200	6.334

Orifice plate for installing in flanges
Pressure loss diagram
and K_{vs} values

1090

Loss of pressure Δp subject to flow Q and nominal width DN
 Flow power factor K_{vs} in m^3/h and l/min where $\Delta p = 1$ bar



DN	K_{vs} m^3/h	$l/min.$			
40	19	315			
50	36	610			
65	65	1080			
80	101	1685			
100	152	2543			
125	215	3593			
150	323	5393			
200 (PN 10)	533	8887			
200 (PN 16)	562	9369			