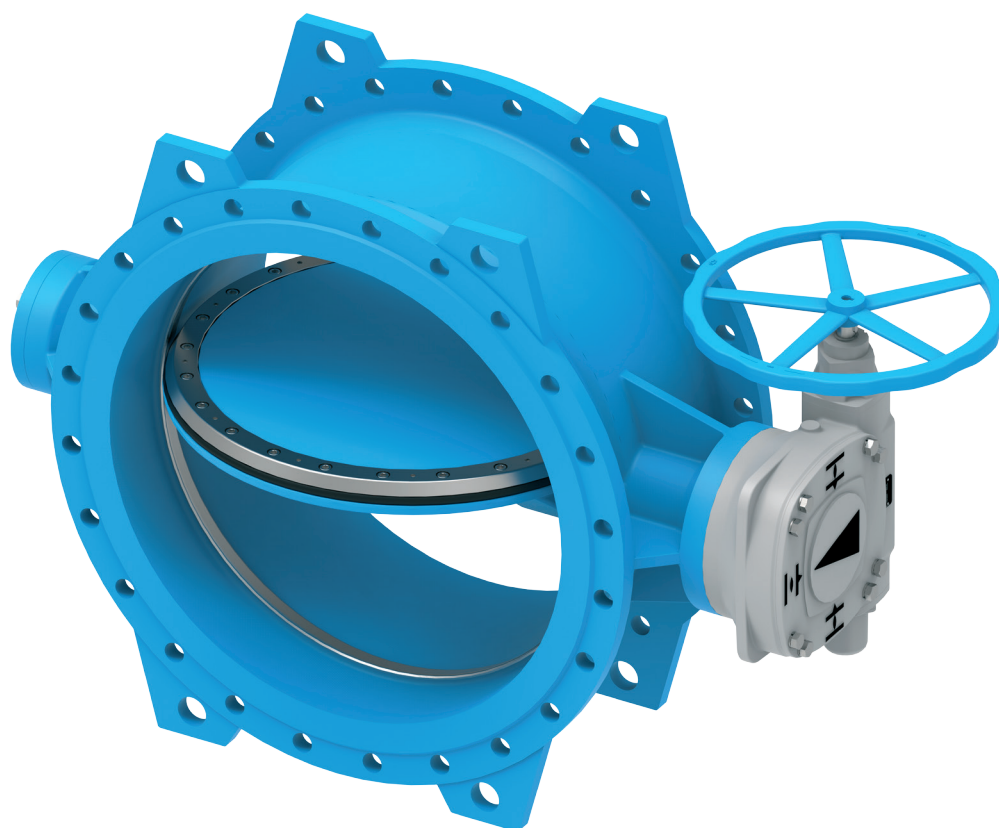


## DOUBLE ECCENTRIC BUTTERFLY VALVE ACCORDING TO EN 593

Art N°  
V3-06

NOMINAL DIAMETER	NOMINAL PRESSURE	FLANGE EN 1092-2	TESTING ACCORDING TO EN 12266 bar	
			BODY	SEALING
DN	bar	PN		
100 – 1800	10	10	15	11
100 – 1800	16	16	24	17,6



**STANDARD APPLICATION:** WATER, DRINKING WATER, WASTE WATER

**MAX. ARBEIT TEMPERATURE:** 60°C (Other on request)

**Design according to:** EN 593

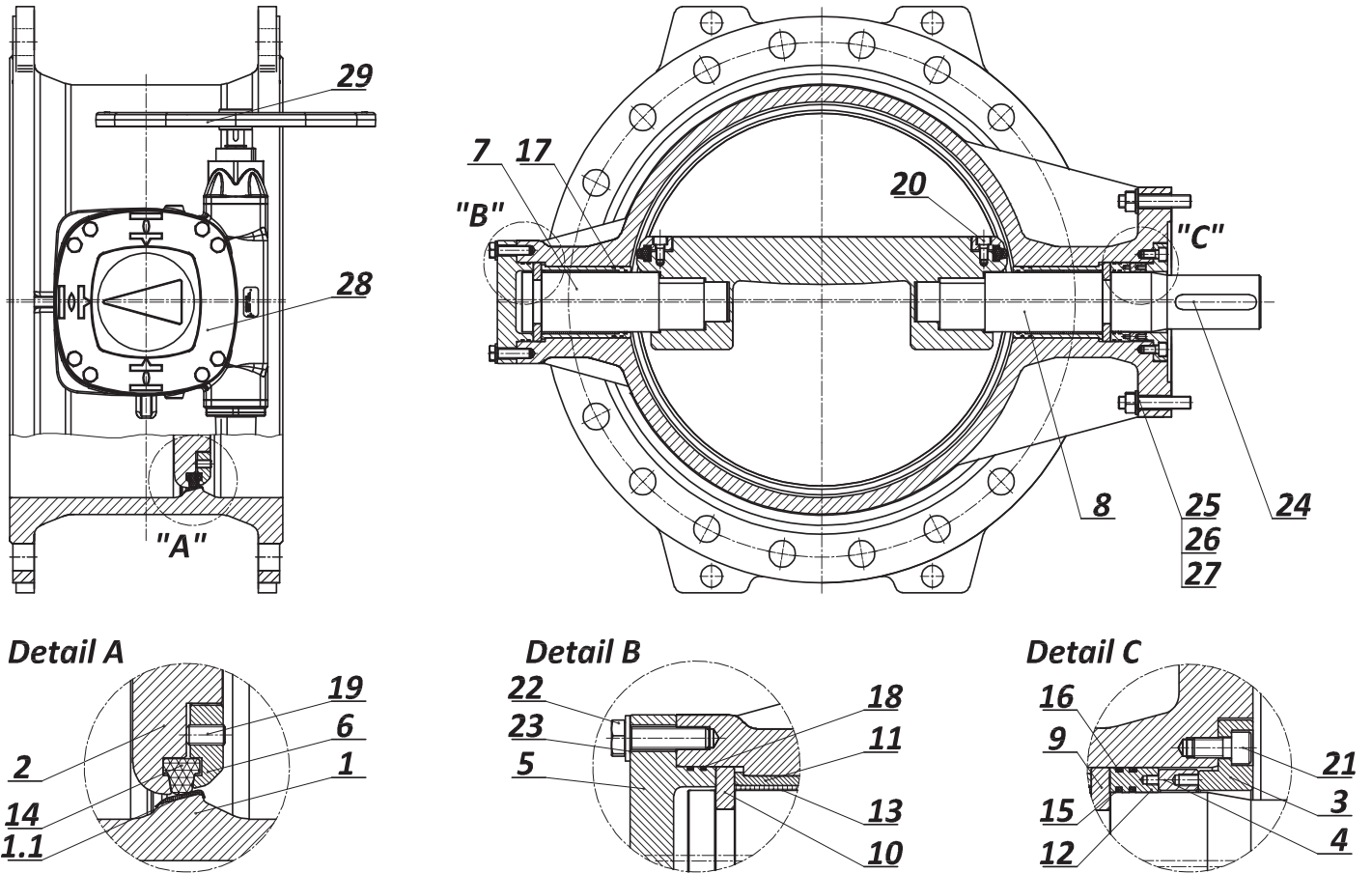
**Face to face dimension according to** EN 558 SERIES 14

**Standard surface protection:** Epoxy powder coating min. 250 mic RAL 5015

**Other medium / application or coating on request**

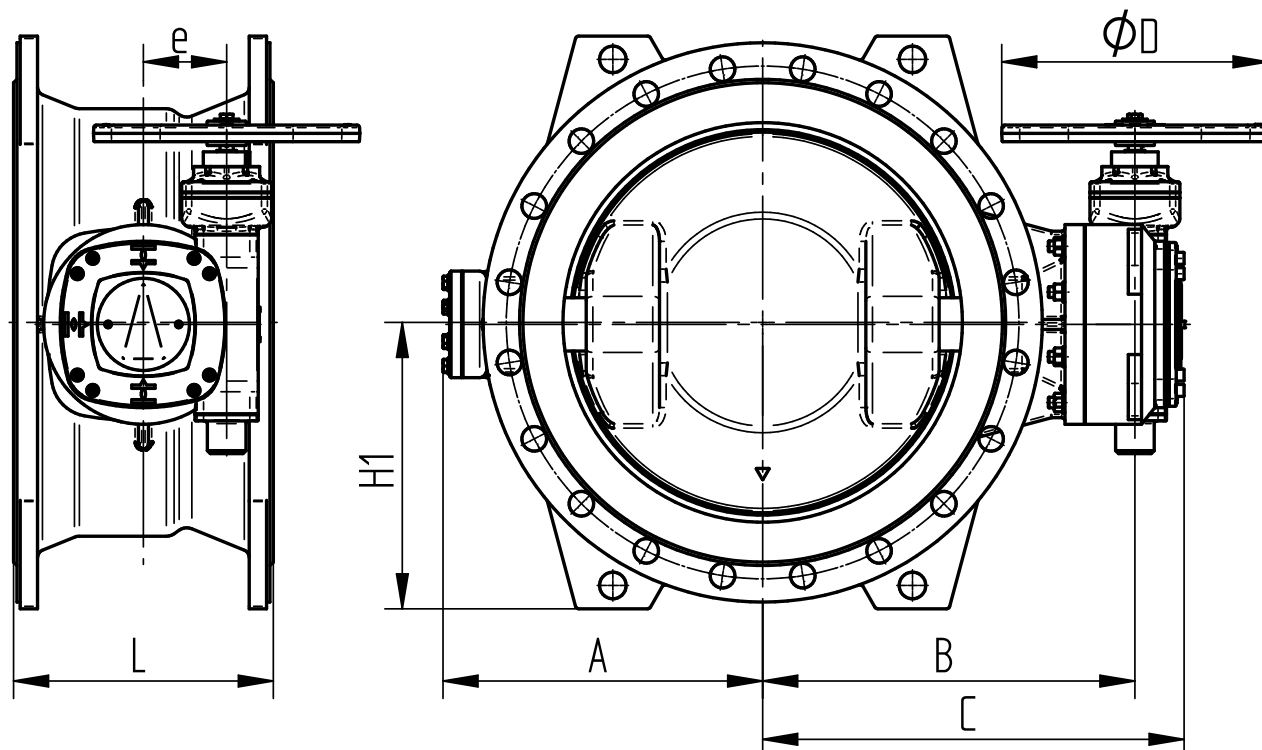
**Flanges according to** EN 1092-2 other on request.

**Butterfly valves are suitable for both directions according to EN 1074-2. Where there is a great difference in differential pressure, the butterfly valve should be installed in such a way as to make sure that the side with greater pressure is on the side of the spindle (side A).**



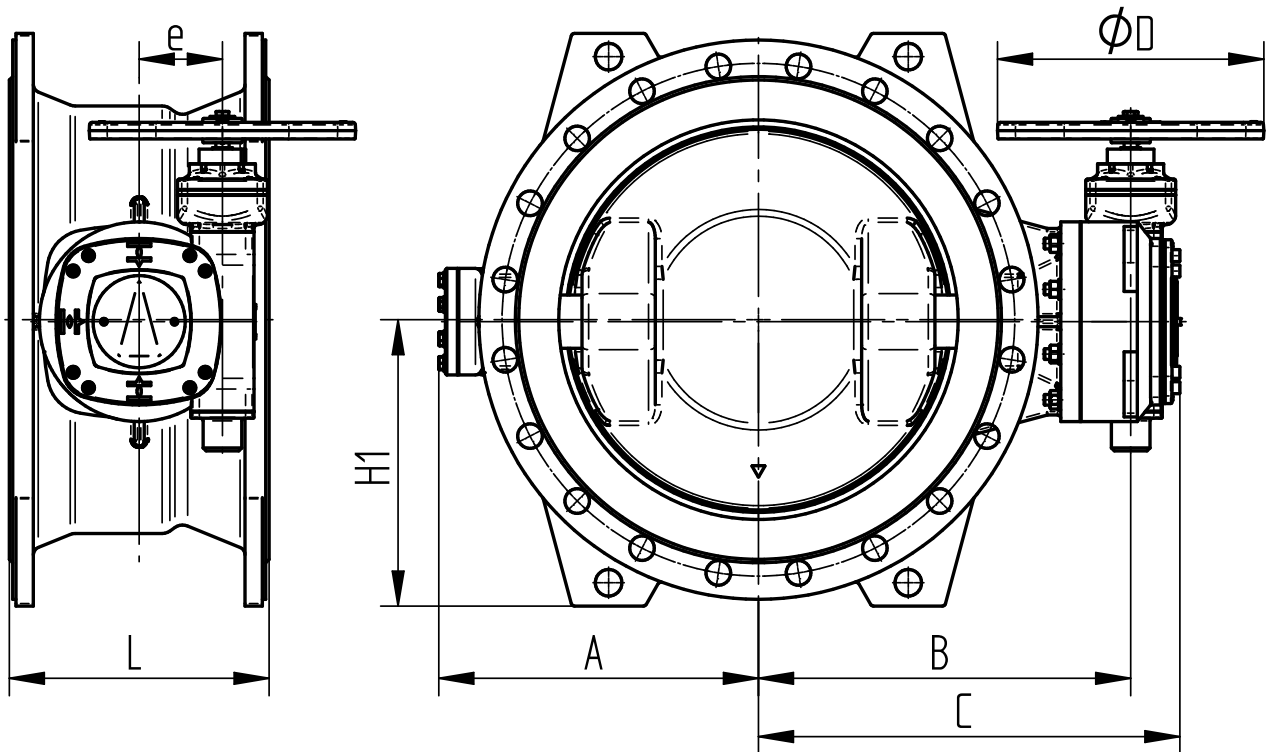
POSITION	PART	MATERIAL
1	Body	EN-GJS-400-15
1.1	Body seat ring	18-8-Mn
2	Disc	EN-GJS-400-15
3	Sealing bush cover	EN-GJS-400-15
4	Distance ring	EN-GJS-400-15
5	Cover	EN-GJS-400-15
6	Retaining ring	X5CrNi18-10
7	Shaft	X20Cr13
8	Driven shaft	X20Cr13
9	Axial bearing	CW724R
10	Axial bearing	CW724R
11	Bearing bush	CW724R
12	Bearing bush	CW724R
13	PAP bearing	PTFE/NIRO
14	Profile sealing ring	EPDM

POSITION	PART	MATERIAL
15	"O" Ring	EPDM
16	"O" Ring	EPDM
17	"O" Ring	EPDM
18	"O" Ring	EPDM
19	Screw	A4
20	Screw	A4
21	Screw	A4
22	Screw	A4
23	Washer	A4
24	Parallel key	C45E
25	Threaded rod	A4
26	Nut	A4
27	Washer	A4
28	Handwheel	St
29	Gearbox	AUMA



PN 10

MIC Code	DN	L	H <sub>1</sub>	A	B	C	D	AUMA gearbox	e	m (kg)
L-12-6-H100-00	100	190	115	147	189	241	200	GS 50.3 (51:1)	50	29
L-14-6-H100-00	150	210	147,5	164	216	268	200	GS 50.3 (51:1)	50	39
L-16-5-H100-00	200	230	185	206	245	297	250	GS 50.3 (51:1)	50	60
L-18-5-H100-00	250	250	210	240	282	344	250	GS 63.3 (51:1)	63	82
L-19-5-H100-00	300	270	235	295	350	412	320	GS 63.3 (51:1)	63	106
L-20-5-H100-00	350	290	263	320	392	458	320	GS 80.3 (53:1)	80	159
L-21-5-H100-00	400	310	293	345	417	483	320	GS 80.3 (53:1)	80	184
L-22-5-H100-00	450	330	318	375	445	529	320	GS 100.3 (160:1)	100	274
L-23-5-H100-00	500	350	345	445	520	602	400	GS 100.3 (160:1)	100	326
L-24-5-H100-00	600	390	400	480	559	643	400	GS 100.3 (160:1)	100	402
L-25-5-H100-00	700	430	458	553	670	740	400	GS 125.3 (160:1)	125	571
L-26-5-H100-00	800	470	520	663	675	776	500	GS 160.3 (218:1)	160	748
L-27-5-H100-00	900	510	570	713	764	865	500	GS 160.3 (218:1)	160	1008
L-28-5-H100-00	1000	550	628	750	845	966	720	GS 200.3 (214:1)	200	1208
L-29-5-H100-00	1100	590	685	808	902	1023	720	GS 200.3 (214:1)	200	1608
L-30-5-H100-00	1200	630	743	871	956	1077	720	GS 200.3 (214:1)	200	2023
L-32-5-H100-00	1400	710	853	985	1105	1251	720	GS 250.3 (848:1)	250	2760
L-34-5-H100-00	1600	790	973	1115	1250	1396	720	GS 250.3 (848:1)	250	4406
L-36-5-H100-00	1800	870	1073	1246	1345	1545	800	GS 315 (848:1)	315	5830



PN 16

MIV Code	DN	L	H <sub>1</sub>	A	B	C	D	AUMA gearbox	e	m (kg)
L-12-6-H100-00	100	190	115	147	189	241	200	GS 50.3 (51:1)	50	29
L-14-6-H100-00	150	210	147,5	164	216	268	200	GS 50.3 (51:1)	50	39
L-16-6-H100-00	200	230	185	206	245	297	250	GS 50.3 (51:1)	50	60
L-18-6-H100-00	250	250	215	240	270	332	250	GS 63.3 (51:1)	63	82
L-19-6-H100-00	300	270	243	295	350	412	320	GS 63.3 (51:1)	63	141
L-20-6-H100-00	350	290	270	320	392	458	320	GS 80.3 (53:1)	80	159
L-21-6-H100-00	400	310	300	345	435	519	320	GS 100.3 (160:1)	100	217
L-22-6-H100-00	450	330	330	375	445	529	320	GS 100.3 (160:1)	100	303
L-23-6-H100-00	500	350	368	445	518	602	400	GS 100.3 (160:1)	100	357
L-24-6-H100-00	600	390	430	480	559	647	400	GS 125.3 (208:1)	125	462
L-25-6-H100-00	700	430	465	553	625	726	400	GS 160.3 (218:1)	160	596
L-26-6-H100-00	800	470	525	663	690	791	500	GS 160.3 (442:1)	160	829
L-27-6-H100-00	900	510	575	713	764	885	500	GS 200.3 (434:1)	200	1055
L-28-6-H100-00	1000	550	640	750	845	966	500	GS 200.3 (434:1)	200	1408
L-29-6-H100-00	1100	590	693	808	917	1063	720	GS 250.3 (210:1)	250	1665
L-30-6-H100-00	1200	630	758	871	971	1117	500	GS 250.3 (411:1)	250	2110
L-32-6-H100-00	1400	710	858	992	1110	1310	720	GS 315 (848:1)	315	3415
L-34-6-H100-00	1600	790	980	1136	1255	1455	800	GS 315 (848:1)	315	5108
L-36-6-H100-00	1800	870	1080	1246	1395	1635	800	GS 400 (1728:1)	400	6847

DOUBLE ECCENTRIC BUTTERFLY VALVE - OPERATING TORQUES

DN	TORQUE		ADAPTER FLANGE		SHAFT DIMENSION	
	Nm		ISO 5211		$\phi d$	
	PN 10		PN 10		PN 10	
100	100	F 10	22			
150	200	F 10	28			
200	300	F 10	28			
250	480	F 10	28			
300	700	F 12	36			
350	950	F 14	46			
400	1 000	F 14	46			
450	1 700	F 16	60			
500	2 500	F 16	60			
600	3 000	F 16	60			
700	5000	F25	72			
800	8100	F25	72			
900	11400	F30	98			
1000	15300	F35	98			
1100	19500	F35	110			
1200	26000	F35	110			
1400	40400	F40	140			
1600	48000	F40	160			
1800	73800	F40	190			

DN	TORQUE		ADAPTER FLANGE		SHAFT DIMENSION	
	Nm		ISO 5211		$\phi d$	
	PN 16		PN 16		PN 16	
100	150	F10	22			
150	250	F10	28			
200	450	F10	28			
250	640	F10	28			
300	910	F12	36			
350	1 270	F14	46			
400	2 100	F16	60			
450	2 800	F16	60			
500	3 800	F16	60			
600	5 800	F25	72			
700	8700	F30	80			
800	12000	F30	98			
900	19000	F30	98			
1000	25000	F35	110			
1100	30000	F35	125			
1200	40000	F35	140			
1400	63100	F40	190			
1600	86300	F40	190			
1800	120000	F48	190			

