

PODZEMNI HIDRANT DN50 PREMA EN 14339
 UNTERFLURHYDRANT DN50 NACH EN 14339
 UNDERGROUND HYDRANT DN50 ACCORDING TO EN 14339

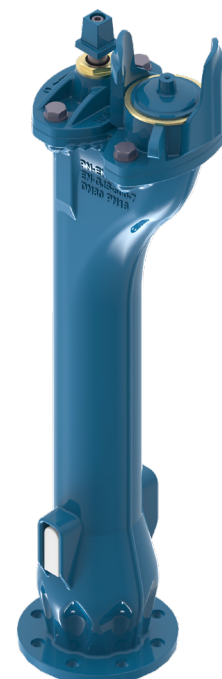
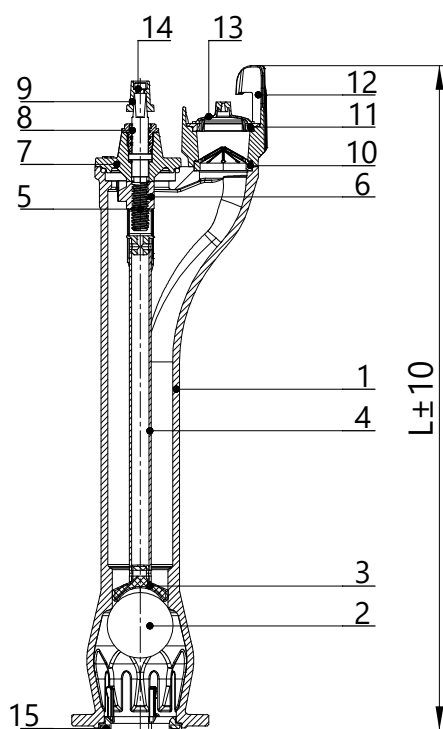
Art N°
 V4-01

NAMJENA: VODA, PITKA VODA
 VERWENDUNG: WASSER, TRINKWASSER
 APPLICATION: WATER, POTABLE WATER

POVRŠINSKA ZAŠTITA: RAL5015 MIN. 250 MIC.
 BESCHÜTUNG: RAL5015 MIN. 250 MIC.
 COATING: RAL5015 MIN. 250 MIC.

VODNI ISPITNI TLAK PREMA EN 12266
 WASSERPRÜFDRUCK NACH EN 12266
 TEST PRESSURE ACC. TO EN 12266

| DN | Rd 0,75 | Rd 1,00 | Rd 1,25 |
|----|---------|---------|---------|
| | L | | |
| 50 | 550 | 725 | 1025 |
| 80 | 550 | 725 | 1025 |



| POZ. POS. | NAZIV POZICIJE | TEIL | PART | MATERIJAL MATERIAL |
|--------------|---------------------|-----------------|---------------|-----------------------|
| 1 | Kućište | Gehäuse | Body | EN-GJS-500-7 |
| 2 | Kugla | Kugel | Ball | POLYAMIDE |
| 3 | Ventil | Ventil | Valve | EN-GJS-500-7 + EPDM |
| 4 | Cijev | Rohr | Pipe | STAINLESS STEEL |
| 5 | Vreteno | Spindel | Spindle | STAINLESS STEEL |
| 6 | Matica vretena | Spindelmutter | Spindle nut | CW614N |
| 7 | Dvostruka brtvenica | Dichtunggehäuse | Gland body | EN-GJS-500-7 |
| 8 | Brtvenica | Dichtunguchse | Sealing bush | CW614N |
| 9 | Nataknica | Muffe | Coupling | EN-GJS-500-7 |
| 10 | Filter | Filter | Strainer | EPDM |
| 11 | Sjedište | Sitz | Seat | AL BRONZE |
| 12 | Panda | Scharnier | Coupling | EN-GJS-500-7 |
| 13 | Poklopac | Deckel | Cover | POLYPROPYLENE |
| 14 | Vijak | Schraube | Screw | A4 |
| 15 | Brtva prirubnice | Flanschdichtung | Flange gasket | EPDM + PE |