

NADZEMNI HIDRANT TIP BAROK PREMA EN 14384  
 ÜBERFLURHYDRANT TYP "BAROCK" NACH EN 14834  
 SURFACE HYDRANT "BAROQUE" ACCORDING TO EN 14384

Art N°  
 V4-11A

STANDARDNA NAMJENA: VODA, PITKA VODA  
 STANDARD VERWENDUNG: WASSER, TRINKWASSER  
 STANDARD APPLICATION: WATER, POTABLE WATER

MAX. RADNA TEMPERATURA: 60°C (ostalo na upit)  
 MAX. ARBEIT TEMPERATURE: 60°C (Andere auf Anfrage)  
 MAX. WORKING TEMPERATURE: 60°C (other on request)

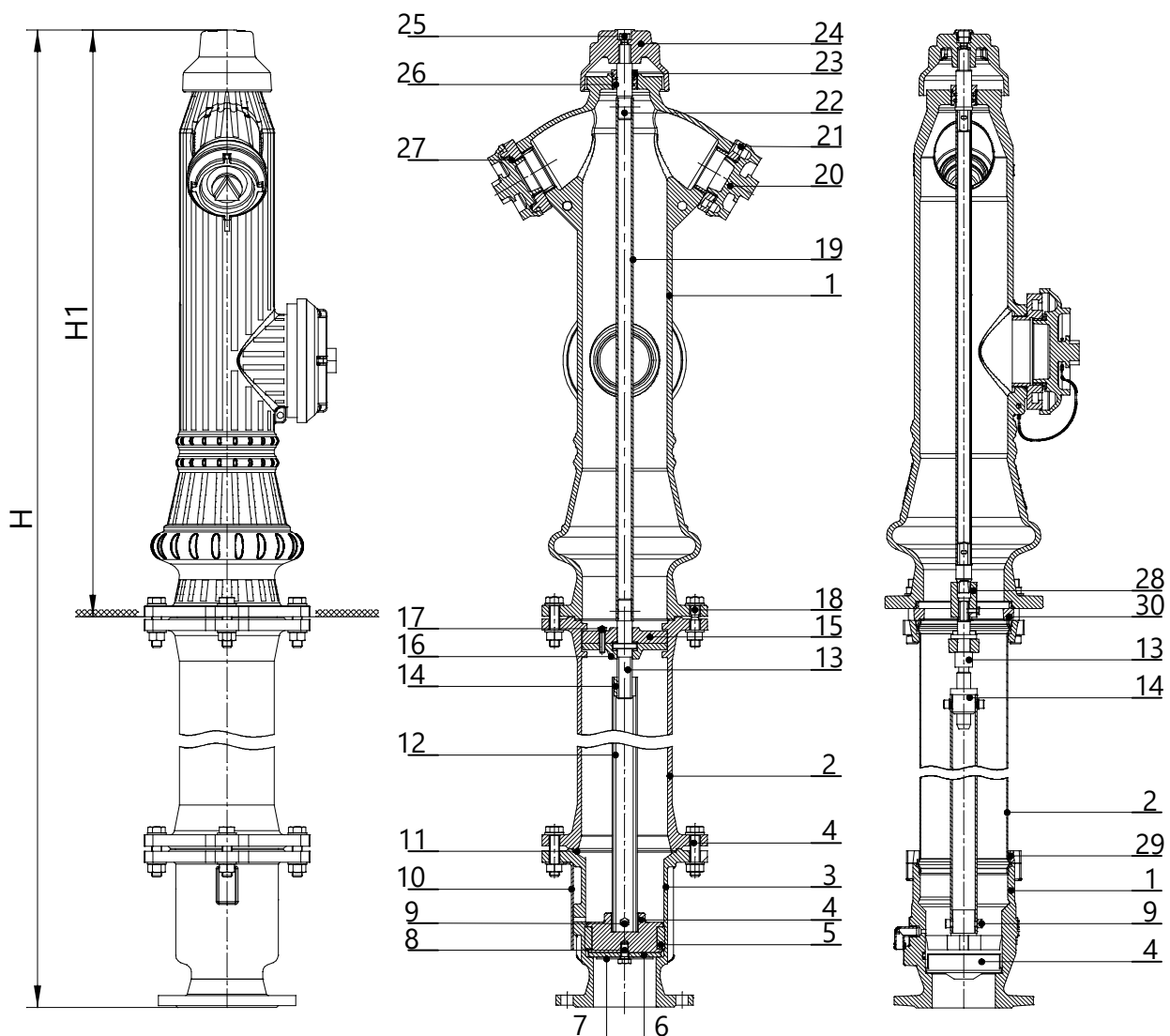
VODNI ISPITNI TLAK PREMA EN 12266  
 WASSERPRÜFDRUCK NACH EN 12266  
 TEST PRESSURE ACC. TO EN 12266

POVRŠINSKA ZAŠTITA: RAL5015 MIN. 250 MIC.  
 BESCHÜTUNG: RAL5015 MIN. 250 MIC.  
 COATING: RAL5015 MIN. 250 MIC.

PN 10 / 16



DN	D	k	d <sub>1</sub>	l	n	b	Rd 1m		Rd 1,25m		Rd 1,5m	
							H <sub>1</sub>	H	H <sub>1</sub>	H	H <sub>1</sub>	H
80	200	160	132	19	8	19	845	1725	845	1975	845	2225
100	220	180	156	19	8	19	915	1795	915	2045	915	2295



POZ. POS.	NAZIV POZICIJE	TEIL	PART	MATERIJAL MATERIAL
1	Stalak	Ständer	Stand	EN-GJS-500-7
2	Nastavak kućišta	Gehäuseverlängerung	Body extension	EN-GJS-500-7 / STAINLESS STEEL
3	Kućište	Gehäuse	Body	EN-GJS-500-7
4	Ventil	Ventil	Valve	EN-GJS-500-7 / EN-GJS-400-15 + EPDM
5	Brtva ispusta	Dichtung	Gasket	EPDM
6	Pritezna pločica	Scheibe	Washer	STAINLESS STEEL
7	Podložna pločica	Scheibe	Washer	STAINLESS STEEL
8	Vijak	Schraube	Screw	STAINLESS STEEL
9	Vijak	Schraube	Screw	STAINLESS STEEL
10	Zaštitni lim	Schutzschild	Protection cover	STAINLESS STEEL
11	Brtva	Dichtung	Gasket	EPDM
12	Kvadratna cijev	Rohr	Pipe	STAINLESS STEEL
13	Vreteno	Spindel	Spindle	X20CR13
14	Matica vretena	Spindelmutter	Spindle nut	CC483K
15	Držać vretena I	Spiendelstütze I	Holder I	EN-GJS-500-7
16	Držać vretena II	Spiendelstütze II	Holder II	EN-GJS-500-7
17	Vijak	Schraube	Screw	STAINLESS STEEL
18	Vijak	Schraube	Screw	STAINLESS STEEL
19	Kvadratna cijev	Rohr	Pipe	STAINLESS STEEL
20	Poklopac	Deckel	Cover	AlMgSi
21	Stabilna spojka	Kupplung	Coupling	AlMgSi
22	Nastavak vretena	Spindelverlängerung	Spindle extension	X20CR13
23	Brtvenica	Dichtungsbuchse	Sealing bush	PA
24	Glava ključa	Haube	Hydrant head	EN-GJS-500-7
25	Vijak	Schraube	Screw	STAINLESS STEEL
26	"O" brtva	"O" Ring	"O" ring	EPDM
27	"O" brtva	"O" Ring	"O" ring	EPDM
28	Vezica	Kupplung	Coupling	EN-GJS-500-7
29	Stezna prirubnica	Flansche	Flange	EN-GJS-500-7
30	Međuprirubnica	Flansche	Adapter flange	EN-GJS-500-7
31	Vijak	Schraube	Screw	STAINLESS STEEL